



## 100MM SEVERE SERVICE GAUGE

- Brass or Stainless Steel Internals
- Ranges to 10,000 psi
- Glycerine Filled

Marsh Instruments Liquid Filled Gauges are designed to perform in rugged applications and harsh environmental conditions - especially where pulsation and vibration are a problem. Liquid Filled Gauges offer a significant cushioning and dampening effect, reducing pointer flutter and internal gauge damage; also lubricating the internals, and reducing corrosion. All stainless steel Liquid Filled Gauges feature a ventable top fill plug for pressure relief and ease of venting after installation. The hermetically sealed construction reduces the chance of leaks, and makes field filling an easy option.

Typical applications include refineries, chemical plants, offshore platforms, oil rigs, marine applications, general industrial application and OEM processes.



### STANDARD RANGES & PART NUMBERS

TYPE	100MM SEVERE SERVICE GAUGES					
	100mm			100mm		
Size	100mm			100mm		
Case Material	Stainless Steel			Stainless Steel		
Internals	Copper Alloy			Stainless Steel		
Mounting / Case Style	LM	CB	UC	LM	CB	UC
Connections (NPT)	¼ NPT	¼ NPT	¼ NPT	¼ NPT	¼ NPT	¼ NPT
Scale Standard	psi/kPa			psi/kPa		
0 to 30" Hg VAC	X32965P			X32967P		
30" Hg VAC to 30 psi	X32501P					
30" Hg VAC to 60 psi	X32502P					
30" Hg VAC to 100 psi						
30" Hg VAC to 150 psi	X32887P	X32901P	X32894P	X32929P	X32941P	X32935P
30" Hg VAC to 200 psi	X32888P	X32902P	X32895P	X32930P	X32942P	X32936P
30" Hg VAC to 300 psi	X32889P	X32903P	X32896P	X32931P	X32943P	X32937P
0 to 15 psi	X32504P	X32546P	X32525P	X32630P	X32678P	X32654P
0 to 30 psi	X32505P	X32547P	X32526P	X32631P	X32679P	X32655P
0 to 60 psi	X32506P	X32548P	X32527P	X32632P	X32680P	X32656P
0 to 100 psi	X32507P	X32549P	X32528P	X32633P	X32681P	X32657P
0 to 160 psi	X32508P	X32550P	X32529P	X32634P	X32682P	X32658P
0 to 200 psi	X32509P	X32551P	X32530P	X32635P	X32683P	X32659P
0 to 300 psi	X32510P	X32552P	X32531P	X32636P	X32684P	X32660P
0 to 400 psi	X32511P	X32553P	X32532P	X32637P	X32685P	X32661P
0 to 600 psi	X32512P	X32554P	X32533P	X32638P	X32686P	X32662P
0 to 1,000 psi	X32513P	X32555P	X32534P	X32639P	X32687P	X32663P
0 to 1,500 psi	X32514P	X32556P	X32535P			
0 to 2,000 psi	X32515P	X32557P	X32536P	X32641P	X32689P	X32665P
0 to 3,000 psi	X32516P	X32558P	X32537P	X32642P	X32690P	X32666P
0 to 5,000 psi	X32518P	X32560P	X32539P	X32644P	X32692P	X32668P
0 to 6,000 psi	X32519P	X32561P	X32540P	X32645P	X32693P	X32669P
0 to 10,000 psi				X32647P	X32695P	X32671P

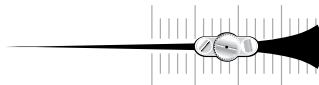
NOTE:   Items are available on special order. However, minimums and lead times apply. Consult factory.

### SPECIFICATIONS

- ACCURACY**  
ASME Grade A - ±2/1/2% (±1% of range across middle half of scale)
- CASE SIZES**  
100mm (3.89") diameter
- CASE MATERIAL**  
304 Stainless Steel
- CASE STYLE**  
Rolled ring, hermetically sealed case  
CB - Center Back Mount  
LM - Lower Mount  
UC - U-Clamp Mount
- TUBE & SOCKET**  
Copper alloy or 316 stainless steel
- MOVEMENT**  
Brass
- CONNECTION**  
¼ NPT
- RANGES**  
0 to 30" Hg VAC  
Compound 30" Hg VAC to 300 psi  
15 to 10,000 psi
- DIAL STANDARD**  
Dual scale psi & kPa
- DIAL COLOR**  
Black markings on white
- POINTER**  
Aluminum, black painted
- WINDOW**  
Polycarbonate
- FILL MEDIUM**  
Glycerine Standard
- RESTRICTOR**  
Standard for all ranges
- VENT PLUG**  
Rubber plug with snip-off feature
- WEIGHT**  
Filled 1.0 lb.  
Dry 0.8 lb.

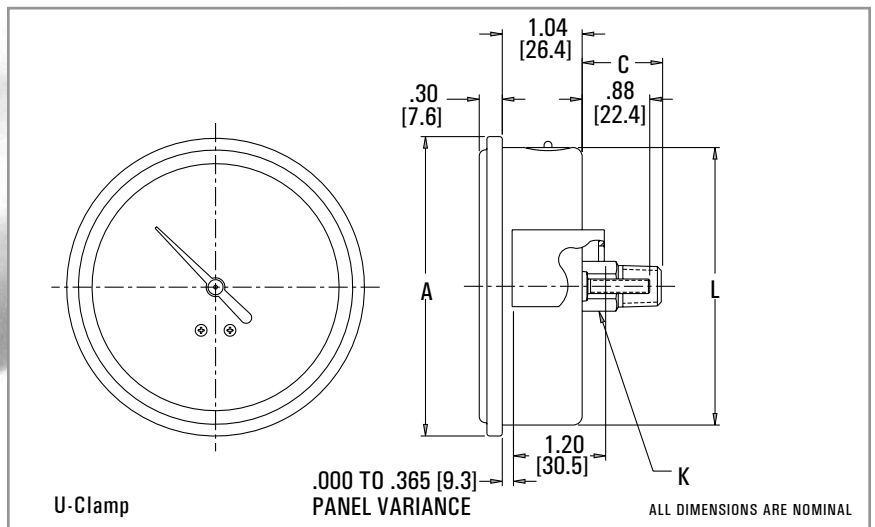
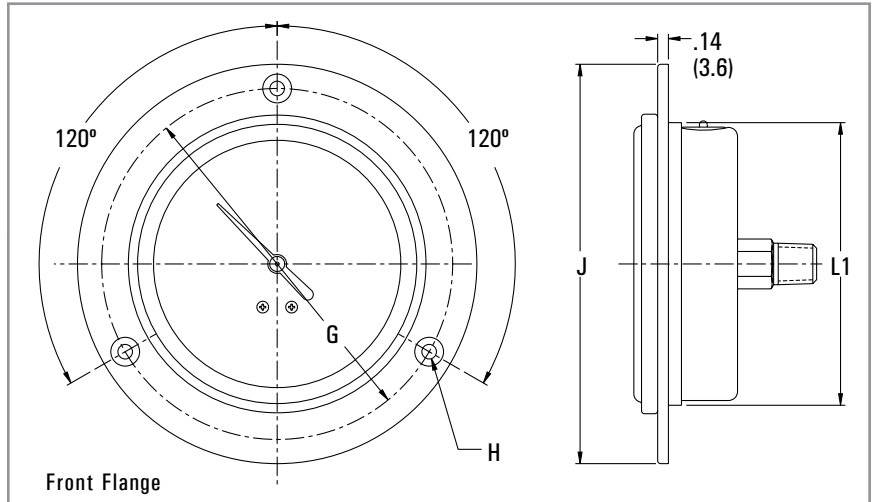
**+57 305 4429029**  
**instrumentacion@colmucol.com**

# Severe Service



## 100MM SEVERE SERVICE GAUGE OPTIONS

OPTION	TYPE	SUFFIX	AVAILABLE ON MODELS
Fill Medium	Dry (no fill)	Delete suffix P	All models
	Silicone (SL)	I	All models
Front Flange	Adapter Ring (3 hole)	R	U-Clamp & Center Back only (factory installed)
Catalog Dials	psi only	E	See Marsh Price List for minimum
	bar only	L1	
	kg/cm <sup>2</sup>	L2	
	kPa only	L3	
	MPa	L4	
	psi & bar	W1	
	psi & kg/cm <sup>2</sup>	W2	
psi & MPa	W4		
Custom Dials	Logo or custom face	M	Consult factory for colors and minimums.
Restrictor	Special restrictor	H	All models - See Marsh Price List for minimum
	Restrictor removed	H1	All models - See Marsh Price List for minimum
Special Connections			Consult factory for Availability



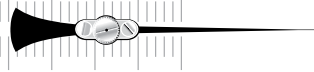
Dimension Table

Gauge Size	Conn- ection	A	C	G	H	K	J	L	L1
100mm	1/4"	3.90" 99mm	1.03" 26mm	4.57" 116mm	0.19" 5mm	9/16" 14mm	5.20" 132mm	3.62" 92mm	3.68" 94mm

+57 305 4429029

instrumentacion@colmucol.com





**Colmucol**

# General Service



## MARSHALLTOWN VALUE SERIES GAUGE

- ASME Grade B Accuracy
- Extra Savings with Quantity Pricing
- 5 Standard Mounting Options: LM, CB, UC, Right & Left

Marshalltown Value Series are the most economical, general purpose gauges in the Marsh gauge line. Suited for use with water, oil, air, gas, or other non-corrosive media.

Typical applications include FRL's, compressors, pumps, boilers, regulators, dryers as well as commercial and industrial equipment.

**New Expanded Ranges and Sizes!**

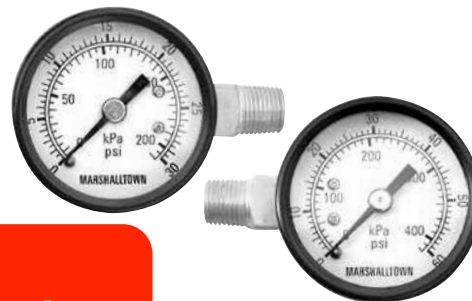
### STANDARD RANGES & PART NUMBERS

TYPE	MARSHALLTOWN VALUE SERIES GAUGES				
Size	1 1/2"				
Mounting	LM	UC	CB	Right	Left
Connection	1/2 NPT	1/2 NPT	1/2 NPT	1/2 NPT	1/2 NPT
0 to 15 psi	GG1515L8	GG1515U8	GG1515C8		
0 to 30 psi	GG1530L8	GG1530U8	GG1530C8	GG1530G8	GG1530F8
0 to 60 psi	GG1560L8	GG1560U8	GG1560C8	GG1560G8	GG1560F8
0 to 100 psi	GG15100L8	GG15100U8	GG15100C8		
0 to 160 psi	GG15160L8	GG15160U8	GG15160C8		
0 to 200 psi	GG15200L8	GG15200U8	GG15200C8		
0 to 300 psi	GG15300L8	GG15300U8	GG15300C8		
0 to 400 psi	GG15400L8	GG15400U8	GG15400C8		
0 to 600 psi	GG15600L8	GG15600U8	GG15600C8		
0 to 1,000 psi	GG151000L8	GG151000U8	GG151000C8		

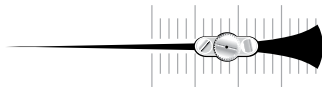
### SPECIFICATIONS

- ACCURACY**  
ASME Grade B =  $\pm 3/2/3\%$  ( $\pm 2\%$  of range across middle half of scale)
- CASE SIZES**  
1 1/2" and 2" diameter
- CASE MATERIAL**  
Steel, black painted
- CASE STYLE**  
CB – Center Back Mount  
LM – Lower Mount  
UC – U-Clamp Mount  
Right Mount  
Left Mount
- TUBE & SOCKET**  
Copper alloy
- MOVEMENT**  
Brass
- CONNECTION**  
1/2 & 1/4 NPT
- RANGES**  
15 to 5,000 psi
- DIAL STANDARD**  
Dual scale psi and kPa
- DIAL COLOR**  
Black markings on white
- POINTER**  
Aluminum, Black painted
- WINDOW**  
Flat plastic with steel friction ring
- RESTRICTOR**  
Standard for all ranges
- WEIGHT**
- |        |          |
|--------|----------|
| 1-1/2" | 0.2 lb.  |
| 2"     | 0.3 lb.  |
| 2-1/2" | 0.4 lb.  |
| 3-1/2" | 0.5 lb.  |
| 4-1/2" | 0.75 lb. |

TYPE	MARSHALLTOWN VALUE SERIES GAUGES					
Size	2"					
Mounting	LM	LM	CB	CB	UC	UC
Connection	1/2 NPT	1/4 NPT	1/2 NPT	1/4 NPT	1/2 NPT	1/4 NPT
0 to 15 psi	GG2015L8	GG2015L4	GG2015C8	GG2015C4	GG2015U8	GG2015U4
0 to 30 psi	GG2030L8	GG2030L4	GG2030C8	GG2030C4	GG2030U8	GG2030U4
0 to 60 psi	GG2060L8	GG2060L4	GG2060C8	GG2060C4	GG2060U8	GG2060U4
0 to 100 psi	GG20100L8	GG20100L4	GG20100C8	GG20100C4	GG20100U8	GG20100U4
0 to 160 psi	GG20160L8	GG20160L4	GG20160C8	GG20160C4	GG20160U8	GG20160U4
0 to 200 psi	GG20200L8	GG20200L4	GG20200C8	GG20200C4	GG20200U8	GG20200U4
0 to 300 psi	GG20300L8	GG20300L4	GG20300C8	GG20300C4	GG20300U8	GG20300U4
0 to 400 psi	GG20400L8	GG20400L4	GG20400C8	GG20400C4	GG20400U8	GG20400U4
0 to 600 psi	GG20600L8	GG20600L4	GG20600C8	GG20600C4	GG20600U8	GG20600U4
0 to 1,000 psi	GG201000L8	GG201000L4	GG201000C8	GG201000C4	GG201000U8	GG201000U4
0 to 1,500 psi	GG201500L8	GG201500L4	GG201500C8	GG201500C4	Special Order	GG201500U4
0 to 2,000 psi	GG202000L8	GG202000L4	GG202000C8	GG202000C4	Special Order	GG202000U4
0 to 3,000 psi	GG203000L8	GG203000L4	GG203000C8	GG203000C4	Special Order	GG203000U4
0 to 5,000 psi	GG205000L8	GG205000L4	GG205000C8	GG205000C4	Special Order	GG205000U4



**+57 305 4429029**  
**instrumentacion@colmucol.com**

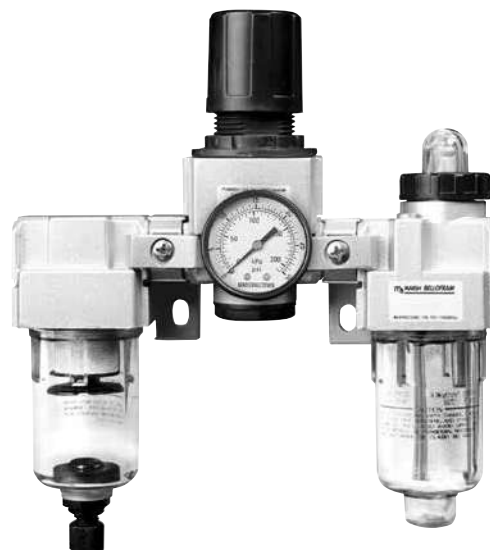


## STANDARD RANGES & PART NUMBERS

TYPE		MARSHALLTOWN VALUE SERIES GAUGES				
Size	2½"					
Mounting	LM	LM	CB	CB	UC	UC
Connection	¼ NPT	¼ NPT	¼ NPT	¼ NPT	¼ NPT	¼ NPT
0 to 30 psi	GG2530L8	GG2530L4	GG2530C8	GG2530C4	GG2530U8	GG2530U4
0 to 60 psi	GG2560L8	GG2560L4	GG2560C8	GG2560C4	GG2560U8	GG2560U4
0 to 100 psi	GG25100L8	GG25100L4	GG25100C8	GG25100C4	GG25100U8	GG25100U4
0 to 160 psi	GG25160L8	GG25160L4	GG25160C8	GG25160C4	GG25160U8	GG25160U4
0 to 200 psi	GG25200L8	GG25200L4	GG25200C8	GG25200C4	GG25200U8	GG25200U4
0 to 300 psi	GG25300L8	GG25300L4	GG25300C8	GG25300C4	GG25300U8	GG25300U4
0 to 400 psi	GG25400L8	GG25400L4	GG25400C8	GG25400C4	GG25400U8	GG25400U4
0 to 600 psi	GG25600L8	GG25600L4	GG25600C8	GG25600C4	GG25600U8	GG25600U4
0 to 1,000 psi	GG251000L8	GG251000L4	GG251000C8	GG251000C4	GG251000U8	GG251000U4
0 to 1,500 psi	GG251500L8	GG251500L4	GG251500C8	GG251500C4	GG251500U8	GG251500U4
0 to 2,000 psi	GG252000L8	GG252000L4	GG252000C8	GG252000C4	Special Order	GG252000U4
0 to 3,000psi	GG253000L8	GG253000L4	GG253000C8	GG253000C4	Special Order	GG253000U4
0 to 5,000psi	GG255000L8	GG255000L4	GG255000C8	GG255000C4	Special Order	GG255000U4

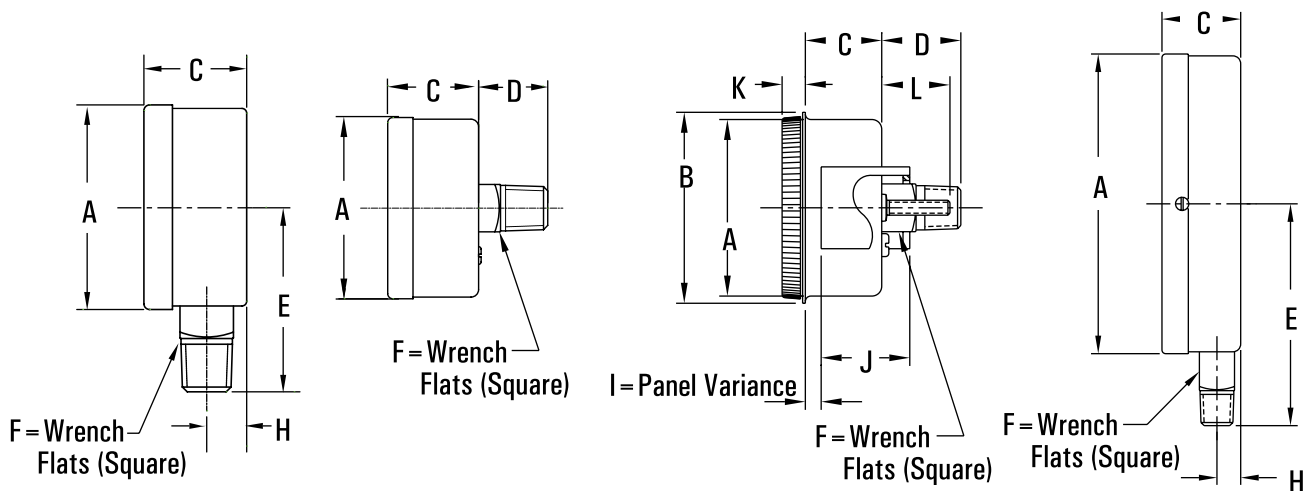
TYPE		MARSHALLTOWN VALUE SERIES GAUGES		
Size	3½"			
Mounting	LM	CB	UC	
Connection	¼ NPT	¼ NPT	¼ NPT	
0 to 30 psi	GG3530L4	GG3530C4	GG3530U4	
0 to 60 psi	GG3560L4	GG3560C4	GG3560U4	
0 to 100 psi	GG35100L4	GG35100C4	GG35100U4	
0 to 160 psi	GG35160L4	GG35160C4	GG35160U4	
0 to 200 psi	GG35200L4	GG35200C4	GG35200U4	
0 to 300 psi	GG35300L4	GG35300C4	GG35300U4	
0 to 400 psi	GG35400L4	GG35400C4	GG35400U4	
0 to 600 psi	GG35600L4	GG35600C4	GG35600U4	
0 to 1,000 psi	GG351000L4	GG351000C4	GG351000U4	
0 to 1,500 psi	GG351500L4	GG351500C4	GG351500U4	
0 to 2,000 psi	GG352000L4	GG352000C4	GG352000U4	
0 to 3,000psi	GG353000L4	GG353000C4	GG353000U4	
0 to 5,000psi	GG355000L4	GG355000C4	GG355000U4	

TYPE		MARSHALLTOWN
Size	4½"	
Mounting	LM	
Connection	¼ NPT	
0 to 30 psi	GG4530L4	
0 to 60 psi	GG4560L4	
0 to 100 psi	GG45100L4	
0 to 160 psi	GG45160L4	
0 to 200 psi	GG45200L4	
0 to 300 psi	GG45300L4	
0 to 400 psi	GG45400L4	
0 to 600 psi	GG45600L4	
0 to 1,000 psi	GG451000L4	
0 to 1,500 psi	GG451500L4	
0 to 2,000 psi	GG452000L4	
0 to 3,000psi	GG453000L4	
0 to 5,000psi	GG455000L4	



**DIMENSIONS**

Part Number	Dial Size	Mount	A	B	C	D	E	F	H	I	J	K	L
GG15XXXXL8	1.5"	1/8" LM	1.606		0.89		1.488	0.433	0.296				
GG15XXXXC8	1.5"	1/8" CB	1.57		0.92	1.61		0.433					
GG15XXXXU8	1.5"	1/8" UC	1.606	1.86	0.89	0.61		0.433		0-0.25	1.05	0.16	0.52
GG20XXXXL8	2.0"	1/8" LM	2.047		1.122		1.787	0.534	0.376				
GG20XXXXC8	2.0"	1/8" CB	2.047		1.122	0.64		0.534					
GG20XXXXU8	2.0"	1/8" UC	1.97	2.24	1.01	0.64		0.534		0-0.26	1.15	0.16	0.52
GG20XXXXL4	2.0"	1/4" LM	2.047		1.122		1.787	0.551	.0385				
GG20XXXXC4	2.0"	1/4" CB	2.047		1.022	0.74		0.534					
GG20XXXXU4	2.0"	1/4" UC	1.97	2.24	1.01	0.74		0.534		0-0.26	1.15	0.16	0.52
GG25XXXXL8	2.5"	1/8" LM	2.496		1.134		1.961	0.539	0.388				
GG25XXXXC8	2.5"	1/8" CB	2.496		1.134	0.66		0.543					
GG25XXXXU8	2.5"	1/8" UC	2.55	2.55	0.97	0.74		0.543		0-0.24	1.18	0.23	0.52
GG25XXXXL4	2.5"	1/4" LM	2.496		1.134		1.961	0.543	0.39				
GG25XXXXC4	2.5"	1/4" CB	2.496		1.122	0.771		0.543					
GG25XXXXU4	2.5"	1/4" UC	2.55	2.55	0.97	0.74		0.543		0-0.24	1.18	0.23	0.52
GG35XXXXL4	3.5"	1/4" LM	3.488		1.22		2.717	0.543	0.413				
GG35XXXXC4	3.5"	1/4" CB	3.488		1.22	0.86		0.543					
GG35XXXXU4	3.5"	1/4" UC	3.75	3.96	0.99	0.71		0.543		0-0.37	1.2	2	0.73
GG45XXXXL4	4.5"	1/4" LM	4.941		1.142		3.409	0.551	0.394				



**+57 305 4429029**  
**instrumentacion@colmucol.com**

## GENERAL SERVICE GAUGE

- Dial Sizes: 1½", 2", 2½", 3½" & 4½"
- Superb quality, economical price
- Pressure ranges to 5000 psi

Marsh Instruments General Service Steel Case Gauges are an economical, general purpose gauge for pressure measurement from vacuum/compound through 5,000 psi. Suited for use with water, oil, air, gas, or other non-corrosive media.

Typical applications include FRLs, compressors, pumps, boilers, regulators, dryers as well as commercial and industrial equipment.

### STANDARD RANGES & PART NUMBERS

TYPE	GENERAL SERVICE GAUGES							
	1½"				2"			
Size	1½"				2"			
Case Material	Steel				Steel			
Internals	Copper Alloy				Copper Alloy			
Mounting / Case Style	LM	UC	CB	LM	LM	CB	CB	
Connection	½ NPT	½ NPT	½ NPT	½ NPT	¼ NPT	½ NPT	¼ NPT	
Scale Standard	psi/kPa				psi/kPa			
0 to 30" Hg VAC	J0405	J0505	J0605	J1105	J1405	J1805	J2005	
30" Hg VAC to 15 psi	J0410	J0510	J0610	J1110	J1410	J1810	J2010	
30" Hg VAC to 30 psi	J0412	J0512	J0612	J1112	J1412	J1812	J2012	
30" Hg VAC to 60 psi	J0414	J0514	J0614	J1114	J1414	J1814	J2014	
30" Hg VAC to 100 psi	J0416	J0516	J0616	J1116	J1416	J1816	J2016	
30" Hg VAC to 150 psi	J0418	J0518	J0618	J1118	J1418	J1818	J2018	
30" Hg VAC to 200 psi	J0420	J0520	J0620	J1120	J1420	J1820	J2020	
30" Hg VAC to 300 psi	J0424	J0524	J0624	J1124	J1424	J1824	J2024	
30" Hg VAC to 400 psi				J1126	J1426	J1826	J2026	
0 to 15 psi	J0440	J0540	J0640	J1140	J1440	J1840	J2040	
0 to 30 psi	J0442	J0542	J0642	J1142	J1442	J1842	J2042	
0 to 60 psi	J0446	J0546	J0646	J1146	J1446	J1846	J2046	
0 to 100 psi	J0448	J0548	J0648	J1148	J1448	J1848	J2048	
0 to 160 psi	J0452	J0552	J0652	J1152	J1452	J1852	J2052	
0 to 200 psi	J0454	J0554	J0654	J1154	J1454	J1854	J2054	
0 to 300 psi	J0458	J0558	J0658	J1158	J1458	J1858	J2058	
0 to 400 psi	J0460	J0560	J0660	J1160	J1460	J1860	J2060	
0 to 600 psi	J0464	J0564	J0664	J1164	J1464	J1864	J2064	
0 to 1,000 psi	J0472	J0572	J0672	J1172	J1472	J1872	J2072	
0 to 1,500 psi	J0474	J0574	J0674	J1174	J1474	J1874	J2074	
0 to 2,000 psi	J0476	J0576	J0676	J1176	J1476	J1876	J2076	
0 to 3,000 psi	J0478	J0578	J0678	J1198	J1478	J1878	J2078	
0 to 5,000 psi	J0482	J0582	J0682	J1182	J1482	J1882	J2082	

NOTE:   Items are available on special order. However, minimums and lead times apply. Consult factory.



### SPECIFICATIONS

#### ACCURACY

ASME Grade B-±3/2/3% (±2% of range across middle half of scale)

#### CASE SIZES

1½", 2", 2½", 3½", 4½" diameter

#### CASE MATERIAL

Steel, black painted

#### CASE STYLE

CB - Center Back Mount

LM - Lower Mount

UC - U-Clamp Mount

See option tables for Front Flange

#### TUBE & SOCKET

Copper alloy

#### MOVEMENT

Brass

#### CONNECTION

½ & ¼ NPT

#### RANGES

0 to 30" Hg VAC; Compound 30" Hg vac to 400 psi; 15 to 5,000 psi

#### DIAL STANDARD

Dual scale psi and kPa

#### DIAL COLOR

Black markings on white

#### POINTER

Aluminum, black painted

#### WINDOW

1½", 2", 2½", 3½": acrylic, twist-in Clearlok

4½": flat glass window with steel friction ring

#### RESTRICTOR

Standard for ranges 1,000 psi and above

#### WEIGHT

1-1/2" 0.2 lb.

2" 0.3 lb.

2-1/2" 0.4 lb.

3-1/2" 0.5 lb.

4-1/2" 0.75 lb.

**+57 305 4429029**

**instrumentacion@colmucol.com**





## STANDARD RANGES & PART NUMBERS

TYPE	GENERAL SERVICE GAUGES											
	2"		2½"						3½"		4½"	
Size	Steel		Steel						Steel		Steel	
Case Material	Copper Alloy		Copper Alloy						Copper Alloy			
Internals	Copper Alloy		Copper Alloy						Copper Alloy			
Mounting / Case Style	UC	UC	LM	LM	CB	CB	UC	UC	LM	CB	UC	LM
Connection	½ NPT	¼ NPT	½ NPT	¼ NPT	½ NPT	¼ NPT	½ NPT	¼ NPT	½ NPT	¼ NPT	½ NPT	¼ NPT
Scale Standard	psi/kPa		psi/kPa						psi/kPa		psi/kPa	
0 to 30" Hg VAC	J2405	J2605	J4005	J4605	J5005	J5405	J6005	J6205	J8005	J8605	J8805	J9005
30" Hg VAC to 15 psi	J2410	J2610	J4010	J4610	J5010	J5410	J6010	J6210	J8010	J8610	J8810	J9010
30" Hg VAC to 30 psi	J2412	J2612	J4012	J4612	J5012	J5412	J6012	J6212	J8012	J8612	J8812	J9012
30" Hg VAC to 60 psi	J2414	J2614	J4014	J4614	J5014	J5414	J6014	J6214	J8014	J8614	J8814	J9014
30" Hg VAC to 100 psi	J2416	J2616	J4016	J4616	J5016	J5416	J6016	J6216	J8016	J8616	J8816	J9016
30" Hg VAC to 150 psi	J2418	J2618	J4018	J4618	J5018	J5418	J6018	J6218	J8018	J8618	J8818	J9018
30" Hg VAC to 200 psi	J2420	J2620	J4020	J4620	J5020	J5420	J6020	J6220	J8020	J8620	J8820	J9020
30" Hg VAC to 300 psi	J2424	J2624	J4024	J4624	J5024	J5424	J6024	J6224	J8024	J8624	J8824	J9024
30" Hg VAC to 400 psi	J2426	J2626	J4026	J4626	J5026	J5426	J6026	J6226	J8026	J8626	J8826	J9026
0 to 15 psi	J2440	J2640	J4040	J4640		J5440		J6240	J8040	J8640	J8840	J9040
0 to 30 psi	J2442	J2642	J4042	J4642	J5042	J5442	J6042	J6242	J8042	J8642	J8842	J9042
0 to 60 psi	J2446	J2646	J4046	J4646	J5046	J5446	J6046	J6246	J8046	J8646	J8846	J9046
0 to 100 psi	J2448	J2648	J4048	J4648	J5048	J5448	J6048	J6248	J8048	J8648	J8848	J9048
0 to 160 psi	J2452	J2652	J4052	J4652	J5052	J5452	J6052	J6252	J8052	J8652	J8852	J9052
0 to 200 psi	J2454	J2654	J4054	J4654	J5054	J5454	J6054	J6254	J8054	J8654	J8854	J9054
0 to 300 psi	J2458	J2658	J4058	J4658	J5058	J5458	J6058	J6258	J8058	J8658	J8858	J9058
0 to 400 psi	J2460	J2660	J4060	J4660	J5060	J5460	J6060	J6260	J8060	J8660	J8860	J9060
0 to 600 psi	J2464	J2664	J4064	J4664	J5064	J5464	J6064	J6264	J8064	J8664	J8864	J9064
0 to 1,000 psi	J2472	J2672	J4072	J4672	J5072	J5472	J6072	J6272	J8072	J8672	J8872	J9072
0 to 1,500 psi	J2474	J2674	J4074	J4674	J5074	J5474	J6074	J6274	J8074	J8674	J8874	J9074
0 to 2,000 psi	J2476	J2676	J4076	J4676	J5076	J5476	J6076	J6276	J8076	J8676	J8876	J9076
0 to 3,000 psi	J2478	J2678	J4078	J4678	J5078	J5478	J6078	J6278	J8078	J8678	J8878	J9078
0 to 5,000 psi	J2482	J2682	J4082	J4682	J5082	J5482	J6082	J6282	J8082	J8682	J8882	J9082

NOTE:  Items are available on special order. However, minimums and lead times apply. Consult factory.



Dial Divisions	General Service 3/2/3% of Span		
Ranges	Figure Intervals	Minor Graduations	
Vacuum	5	1	
<b>COMPOUND</b>			
30" Hg VAC to 15 psi	10	5	2 1
30" Hg VAC to 30 psi	10	10	2 1
30" Hg VAC to 60 psi	10	10	2 2
30" Hg VAC to 150 psi	30	30	5 5
30" Hg VAC to 300 psi	30	50	- 10
<b>PRESSURE</b>			
0 to 15 psi	3	0.2	
0 to 30 psi	5	1	
0 to 60 psi	10	1	
0 to 100 psi	10	2	
0 to 160 psi	20	2	
0 to 200 psi	50	4	
0 to 300 psi	50	5	
0 to 400 psi	50	5	
0 to 600 psi	50	10	
<b>HIGH PRESSURE</b>			
0 to 1,000 psi	200	20	
0 to 1,500 psi	300	20	
0 to 2,000 psi	400	40	
0 to 3,000 psi	500	100	
0 to 4,000 psi	1,000	100	
0 to 5,000 psi	1,000	100	

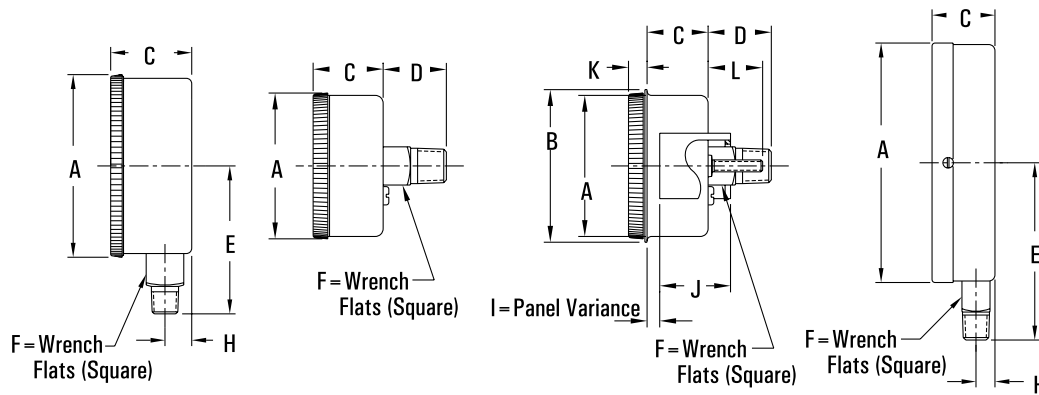
## GENERAL SERVICE GAUGE OPTIONS

OPTION	TYPE	SUFFIX	AVAILABLE ON MODELS
Restrictors	Add restrictor	H	All models – Consult factory for other sizes
Catalog Dials	psi only	E	See Marsh Price List for minimums
	bar only	L1	
	kg/cm <sup>2</sup> only	L2	
	kPa only	L3	
	MPa only	L4	
	psi & bar	W1	
	psi & kg/cm <sup>2</sup>	W2	
	psi & MPa	W4	
Custom Dials	Custom face	M	See Marsh Price List for minimums
Window	Instrument glass w/ring (GS)	F1	1½" - 3½" Consult factory for availability
	Acrylic	F2	4½" Consult factory for availability
Pointer	Adjustable (slotted) pointer (AD)	Z1	2" - 4½" Consult factory for availability
	Max. Hand Assembly (MX)	Z2	2" - 3½" CB or LM only, Consult factory for availability
Cases	3 hole front flange (FF)		1½" - 3½" See below for part number
	Part Numbers: 1½" x ⅛" (J07XX), 2" x ⅛" (J25XX), 2" x ¼" (J29XX), 2½" x ⅛" (J61XX), 2½" x ¼" (J63XX), 3½" x ⅛" (J85XX), 3½" x ¼" (J89XX). Consult factory for availability.		
Rings	Friction ring (external), black (FB)	A2	1½" to 3½" CB or LM only
Special Connections			Consult Factory for availability





(J90XX Only)



ALL DIMENSIONS ARE NOMINAL

## GENERAL SERVICE CASE DIMENSIONS

Part#	Dial Size	Mount	A	B	C	D	E	F	H	I	J	K	L
J04xx	1½	⅝" LM	1.67		.90		1.50	⅞"	.26				
J05xx	1½	⅝" UC	1.60	1.75	.71	.72		⅞"		.06-.37	.81	.19	.63
J06xx	1½	⅝" CB	1.67		.90	.72		⅞"					
J11xx	2.0	⅝" LM	2.20		1.22		1.82	⅞"	.40				
J14xx	2.0	¼" LM	2.20		1.22		1.82	⅞"	.40				
J18xx	2.0	⅝" CB	2.20		1.22	.82		⅞"					
J20xx	2.0	¼" CB	2.20		1.22	.82		⅞"					
J24xx	2.0	⅝" UC	2.06	2.25	.94	.88		⅞"		0-0.43	1.22	.20	.92
J26xx	2.0	¼" UC	2.06	2.25	.94	.88		⅞"		0-0.43	1.22	.20	.92
J40xx	2½	⅝" LM	2.73		1.22		2.10	⅞"	.40				
J46xx	2½	¼" LM	2.73		1.22		2.10	⅞"	.40				
J50xx	2½	⅝" CB	2.73		1.23	.82		⅞"					
J54xx	2½	¼" CB	2.73		1.23	.82		⅞"					
J60xx	2½	⅝" UC	2.58	2.81	.94	.88		⅞"		0-0.43	1.22	.20	.92
J62xx	2½	¼" UC	2.58	2.81	.94	.88		⅞"		0-0.43	1.22	.20	.92
J80xx	3½	¼" LM	3.71		1.22		2.77	⅞"	.40				
J86xx	3½	¼" CB	3.71		1.15	.80		⅞"					
J88xx	3½	¼" UC	3.65	3.98	.91	.87		⅞"		0-0.49	1.10	.24	.92
J90xx	4½	¼" LM	4.53		1.22		3.16	⅞"	.40				

**+57 305 4429029**  
**instrumentacion@colmucol.com**

**Colmucol**