

Size

1.5", 2", 2.5", 3", 4"
4.5", 6"

Installation type

Bottom mount (A) /
Bottom mount with flange(B) /
Back mount (Centric thread) (ADC) /
Back mount (Eccentric thread) (ADE) /
Back mount with flange
(Centric thread) (BDC) /
Back mount with flange
(Eccentric thread) (BDE) /
Back mount with U-Clamp
(Centric thread) (UDC) /
Back mount with U-Clamp
(Eccentric thread) (UDE) /
Back mount with flange and
U-Clamp (Centric thread) (UBDC) /
Back mount with flange and
U-Clamp (Eccentric thread) (UBDE)

Window

PC/Glass
Option: safety glass

Pressure connection

Material: copper alloy
Rubber O-ring sealed
Thread size:
1/8", 1/4", 3/8", 1/2"

Thread type:

BSPT, NPT, PF

Pressure range

Gauge pressure,
0...0.6 to 1000 bar
Negative pressure,
-1...0bar/-76...0cmHg
Compound pressure,
-1...0 to 20bar

Applicable fluid

Liquid and gas that compatible
with copper alloy

Ambient temperature

Dry
-40°C to +60°C
Glycerin-filled
-20°C to +60°C
Silicone oil-filled
-40°C to +60°C

Media temperature

Dry
+60°C
Glycerin
+60°C
Bourdon tube high temp. silver
solder welding
+180°C

Ring material

Stainless steel

Ring mount

Crimp/Inside bayonet/
Outside bayonet/Buckle

Screw fixed

Case material

SS 304

Pointer

Aluminum with black enamel

Dial face

Blue and black scale
Other pressure unit, scale &
color available upon request

Measuring elements

Bourdon tube
Material: copper alloy

**Additional protection
(option)**

Blow out disk

Movement

Copper alloy

Accuracy

±2.5%
(Option: ±1.6%, ±1.0%)

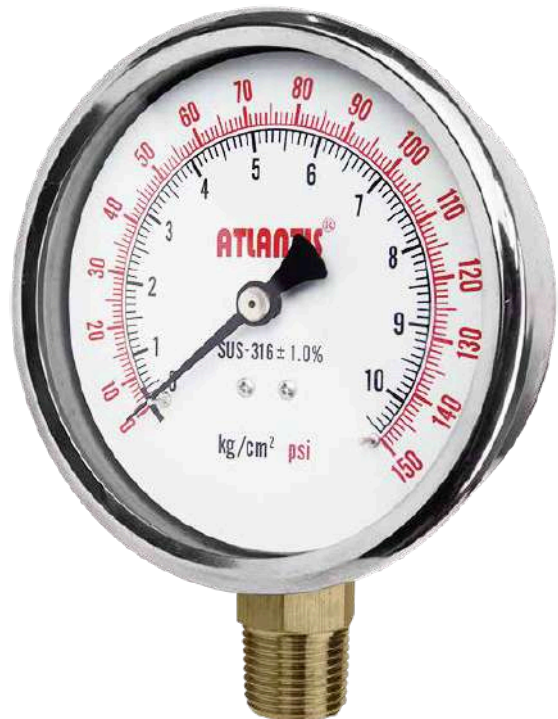
Operating pressure

Stabilization 3/4* full scale
Fluctuation 2/3* full scale
Impulse 1* full scale

Stainless Steel Case Pressure Gauge Model: SC

Introduction

SC pressure gauge has various size and installation type for selection, which is suitable for measuring slight corrosive media that compatible with copper alloy.



Bottom mount



Due to the variety of customization, the picture is only for reference, please confirm the actual item with our sales. (If there is any change on specification, please take the latest version as standard.)

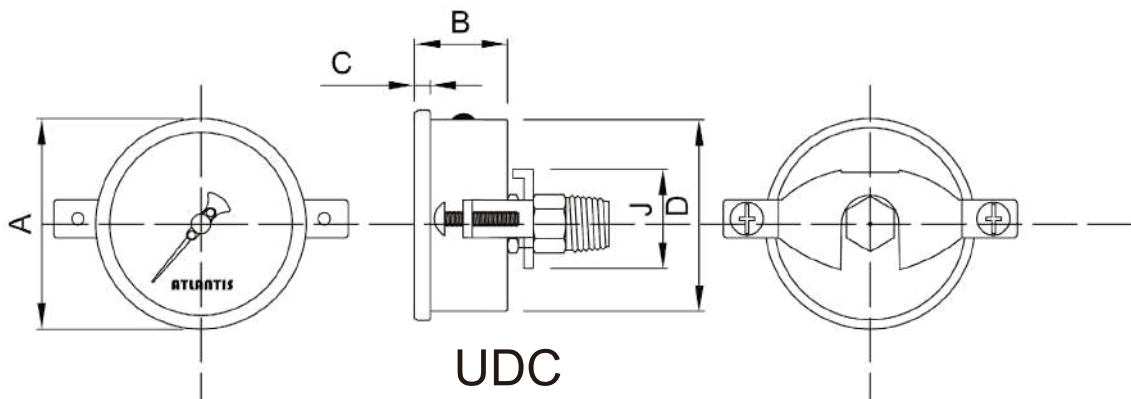
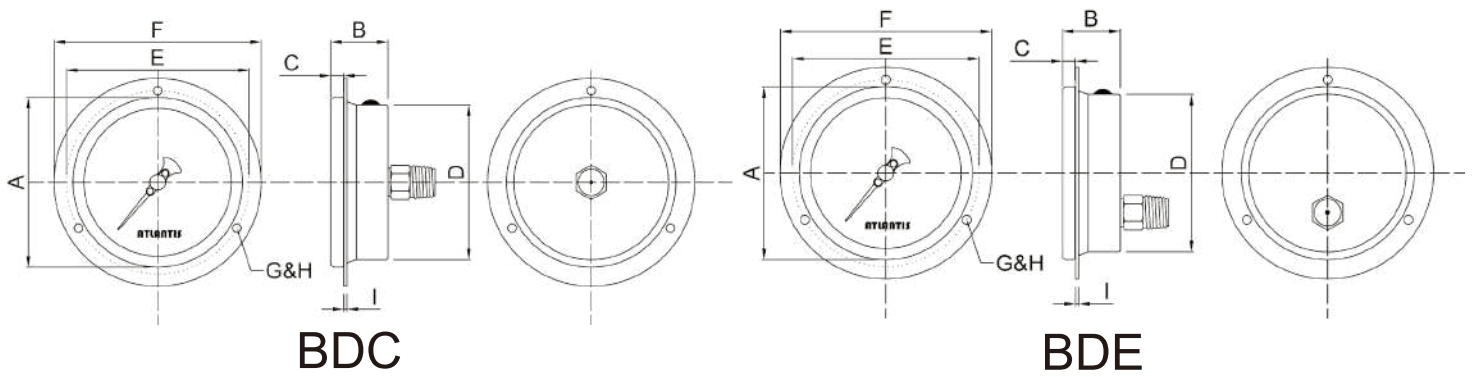
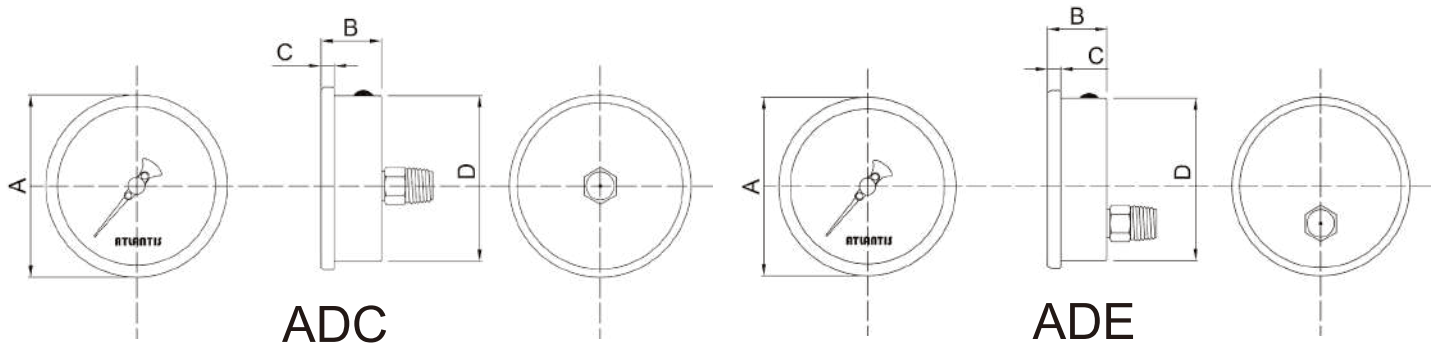
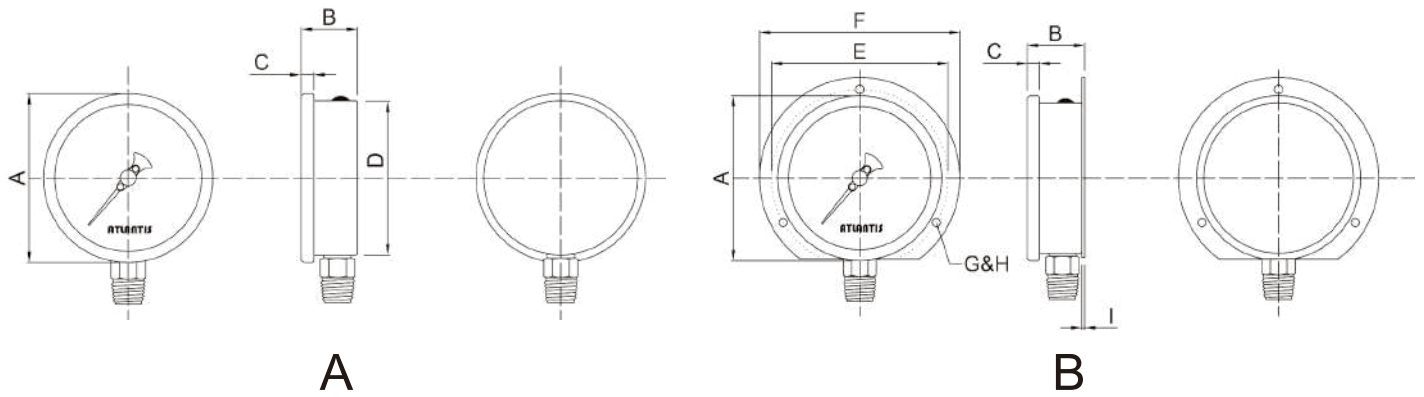
Features

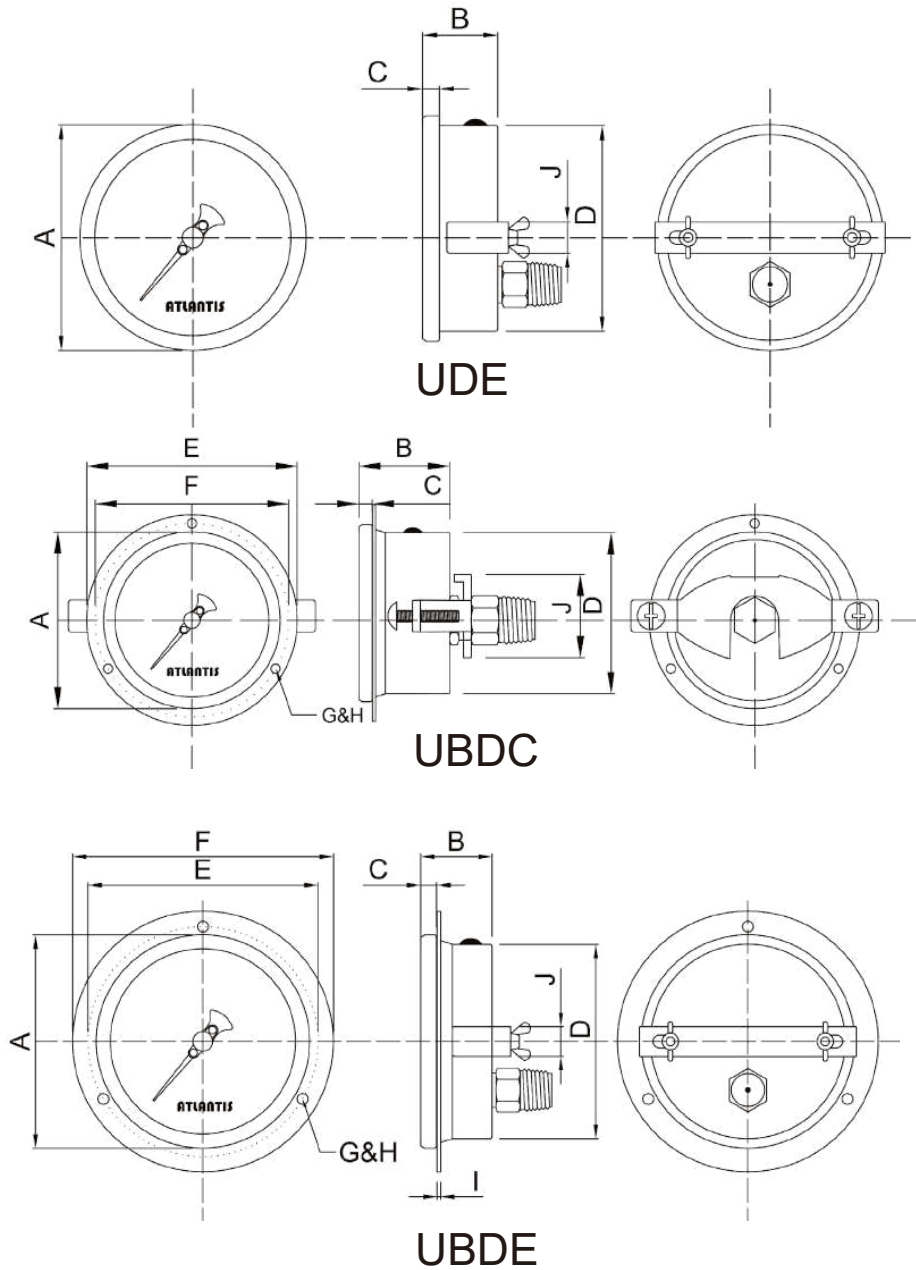
- OEM service
- Stainless steel case pressure gauge for general application
- Various installation and thread type available for different application
- Filled with liquid to improve vibration-proof performance and service life (option)



Back mount

Installation type





Size-Installation type table

Installation type	1.5"	2"	2.5"	3"	4"	4.5"	6"
A	●	●	●	●	●	●	●
B			●	●	●		
ADC		●	●	●	●		
ADE					●		
BDC		●	●	●	●		
BDE					●		●
UBC		●	●				
UDE					●		
UBDC			●		●		
UBDE					●		

How to order

SC Stainless Steel Case Pressure Gauge											
Std.	Spec.	Code	Item	Code	Item	Code	Item	Code	Item		
L	Liquid-filling	O	Dry	L	Glycerin	S	Silicone oil	—	—		
A	Installation type	A	Bottom mount back mount with flange (Centric thread)	B	Bottom mount with flange	ADC	Back mount (Centric thread)	ADE	Back mount (Eccentric thread)		
		BDC	Back mount with flange and U-Clamp (Centric thread)	BDE	Back mount with flange (Eccentric thread)	UDC	Back mount with U-Clamp (Centric thread)	UDE	Back mount with U-Clamp (Eccentric thread)		
		UBDC		UBDE	Back mount with flange and U-Clamp (Eccentric thread)	—	—	—	—		
2"											
04	Size	015	1.5"	02	4.5"	025	2.5"	03	3"		
		04	4"	045		06	6"	—	—		
2	Thread size	1	1/8"	2	1/4"	3	3/8"	4	1/2"		
N	Thread type	P	BSPT	N	NPT	F	PF	O	Others		
Custom	Pressure range	Gauge pressure— (0...0.6 to 1000bar) Negative pressure— (-1...0bar) Compound pressure— (-1...0...0.6 to 20bar) Custom pressure unit scale (psi, bar, kPa, kg/cm2, MPa, inHg, mmHg, cmHg, etc...), single / dual scale									
/D	Other requests	/A	Third party notarized report			/B	Inspection report				
		/C	Tag			/D	Customized dial face (scale, color, unit, etc.)				
		/E	Install a diaphragm seal			/F	Internal stop pin for over-pressure protection				
		/G	Dampened movement			/H	Window— Safety glass				
		/I	Peak hold pointer			(Only available for size > 4")					
		/K	Case material SS316			/L	Epoxy coating				
		/M	Thread - chrome plated			/N	Indicator (red, green, yellow)				
		/O	Adjustable pointer			/P	Knife edge pointer				
		/Q	Install a blow out disk			/R	Silver solder welding - max fluid temperature can up to +180°C				
		High accuracy type									

Order example: SC - LA - 04 - 2N - (0...10bar) + /D