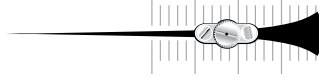


# Temperature



## BIMETAL THERMOMETERS

- External Reset Feature for Field Recalibration (3" & 5")
- 9 Dual Scale Ranges to 1,000°F (525°C)
- Hermetically Sealed Case Design
- 2", 3" and 5" Dials
- Stem Lengths to 24"
- 1% Full Scale Accuracy

Marsh Instruments Bimetal Thermometers combine the benefits of economy and reliability for local mounted temperature indication in the dual scale ranges from -50° to 1,000°F (-40° to 525°C). Additional advantages offered by the Series "L" Bimetal Thermometers include an easy-to-read dual scale, fast speed of response, and accurate temperature indication. The hermetically sealed and ruggedly built case is resistant to shock, vibration, dust and moisture. Corrosion resistance to most chemicals is provided by the all welded type 304 Stainless Steel construction. The extremely responsive bimetal sensing element provides an accuracy to within ±1% of scale. An external adjustment screw on the back of the 3" and 5" case provides convenient reset and field recalibration. Built-in over range protection is a standard feature.

Typical applications include process, offshore, power, chemical industries, HVAC and OEM applications.

### SPECIFICATIONS

#### ACCURACY

±1% of span throughout entire range for 2" immersion in liquids, 4" in gases

#### CASE SIZES

2", 3", and 5" sizes

#### CASE MATERIAL

304 Stainless steel

#### STEM

2½", 4", 6", 9", 12", 15", 18" & 24" Stainless Steel; ¼" diameter

#### CONNECTIONS

¼" NPT: CB—Center Back connection (2" case only)

½" NPT: CB—Center Back connection or AJ—Adjustable connection (3" & 5")

#### DIALS

Dual scale in degrees Celsius and Fahrenheit

#### WINDOW

Glass, hermetically sealed

### STANDARD RANGES & PART NUMBERS

TYPE	BIMETAL THERMOMETERS					
Size	2"					
Connection	¼ NPT					
Mounting	CB	CB	CB	CB	CB	
Stem Length	2½"	4"	6"	9"	12"	
-50° to 120°F / -40° to 50°C	L11101	L11201	L11301	L11401	L11501	
-40° to 160°F / -40° to 70°C	L11102	L11202	L11302	L11402	L11502	
0° to 200°F / -20° to 90°C	L11104	L11204	L11304	L11404	L11504	
0° to 250°F / -20° to 120°C	L11105	L11205	L11305	L11405	L11505	
50° to 300°F / 10° to 150°C	L11106	L11206	L11306	L11406	L11506	
50° to 400°F / 10° to 200°C	L11107	L11207	L11307	L11407	L11507	
50° to 550°F / 10° to 300°C	L11108	L11208	L11308	L11408	L11508	
150° to 750°F / 70° to 400°C	L11110	L11210	L11310	L11410	L11510	
200° to 1000°F / 100° to 525°C	L11111	L11211	L11311	L11411	L11511	
Size	3"					
Connection	½ NPT					
Mounting	CB	CB	CB	CB	CB	CB
Stem Length	2½"	4"	6"	9"	12"	15"
-50° to 120°F / -40° to 50°C	L31101	L31201	L31301	L31401	L31501	L31601
-40° to 160°F / -40° to 70°C	L31102	L31202	L31302	L31402	L31502	L31602
0° to 200°F / -20° to 90°C	L31104	L31204	L31304	L31404	L31504	L31604
0° to 250°F / -20° to 120°C	L31105	L31205	L31305	L31405	L31505	L31605
50° to 300°F / 10° to 150°C	L31106	L31206	L31306	L31406	L31506	L31606
50° to 400°F / 10° to 200°C	L31107	L31207	L31307	L31407	L31507	L31607
50° to 550°F / 10° to 300°C	L31108	L31208	L31308	L31408	L31508	L31608
150° to 750°F / 70° to 400°C	L31110	L31210	L31310	L31410	L31510	L31610
200° to 1000°F / 100° to 525°C	L31111	L31211	L31311	L31411	L31511	L31611
Size	3" Adjustable Angle					
Connection	½ NPT					
-50° to 120°F / -40° to 50°C	L33101	L33201	L33301	L33401	L33501	L33601
-40° to 160°F / -40° to 70°C	L33102	L33202	L33302	L33402	L33502	L33602
0° to 200°F / -20° to 90°C	L33104	L33204	L33304	L33404	L33504	L33604
0° to 250°F / -20° to 120°C	L33105	L33205	L33305	L33405	L33505	L33605
50° to 300°F / 10° to 150°C	L33106	L33206	L33306	L33406	L33506	L33606
50° to 400°F / 10° to 200°C	L33107	L33207	L33307	L33407	L33507	L33607
50° to 550°F / 10° to 300°C	L33108	L33208	L33308	L33408	L33508	L33608
150° to 750°F / 70° to 400°C	L33110	L33210	L33310	L33410	L33510	L33610
200° to 1000°F / 100° to 525°C	L33111	L33211	L33311	L33411	L33511	L33611



**+57 305 4429029**

**instrumentacion@colmucol.com**

## STANDARD RANGES & PART NUMBERS

TYPE		BIMETAL THERMOMETERS							
Size	5"								
Connection	½ NPT								
Mounting	CB	CB	CB	CB	CB	CB	CB	CB	
Stem Length	2½"	4"	6"	9"	12"	15"	18"	24"	
-50° to 120°F/-40° to 50°C	L51101	L51201	L51301	L51401	L51501	L51601	L51701	L51801	
-40° to 160°F/-40° to 70°C	L51102	L51202	L51302	L51402	L51502	L51602	L51702	L51802	
0° to 200°F/-20° to 90°C	L51104	L51204	L51304	L51404	L51504	L51604	L51704	L51804	
0° to 250°F/-20° to 120°C	L51105	L51205	L51305	L51405	L51505	L51605	L51705	L51805	
50° to 300°F/ 10° to 150°C	L51106	L51206	L51306	L51406	L51506	L51606	L51706	L51806	
50° to 400°F/ 10° to 200°C	L51107	L51207	L51307	L51407	L51507	L51607	L51707	L51807	
50° to 550°F/ 10° to 300°C	L51108	L51208	L51308	L51408	L51508	L51608	L51708	L51808	
150° to 750°F/ 70° to 400°C	L51110	L51210	L51310	L51410	L51510	L51610	L51710	L51810	
200° to 1000°F/ 100° to 525°C	L51111	L51211	L51311	L51411	L51511	L51611	L51711	L51811	

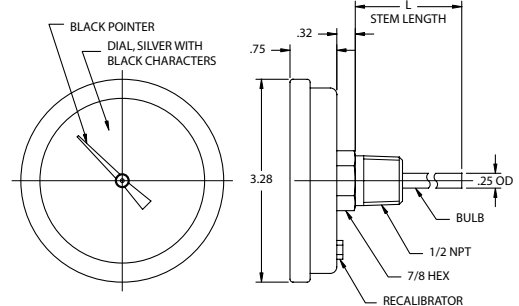
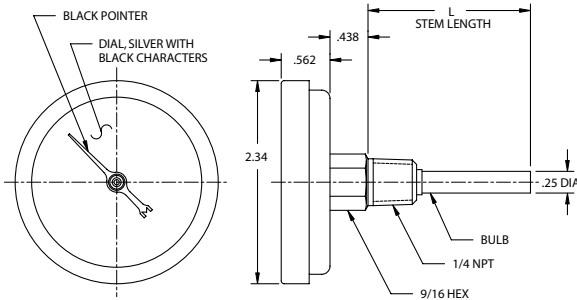
  

TYPE		BIMETAL THERMOMETERS							
Size	5" Adjustable Angle								
Connection	½ NPT								
Mounting	AJ	AJ	AJ	AJ	AJ	AJ	AJ	AJ	
Stem Length	2½"	4"	6"	9"	12"	15"	18"	24"	
-50° to 120°F/-40° to 50°C	L53101	L53201	L53301	L53401	L53501	L53601	L53701	L53801	
-40° to 160°F/-40° to 70°C	L53102	L53202	L53302	L53402	L53502	L53602	L53702	L53802	
0° to 200°F/-20° to 90°C	L53104	L53204	L53304	L53404	L53504	L53604	L53704	L53804	
0° to 250°F/-20° to 120°C	L53105	L53205	L53305	L53405	L53505	L53605	L53705	L53805	
50° to 300°F/ 10° to 150°C	L53106	L53206	L53306	L53406	L53506	L53606	L53706	L53806	
50° to 400°F/ 10° to 200°C	L53107	L53207	L53307	L53407	L53507	L53607	L53707	L53807	
50° to 550°F/ 10° to 300°C	L53108	L53208	L53308	L53408	L53508	L53608	L53708	L53808	
150° to 750°F/ 70° to 400°C	L53110	L53210	L53310	L53410	L53510	L53610	L53710	L53810	
200° to 1000°F/ 100° to 525°C	L53111	L53211	L53311	L53411	L53511	L53611	L53711	L53811	



L11XXX

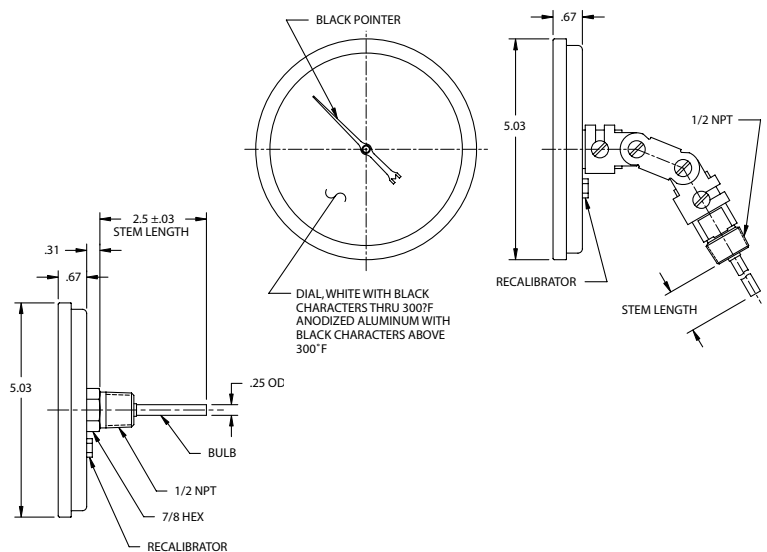
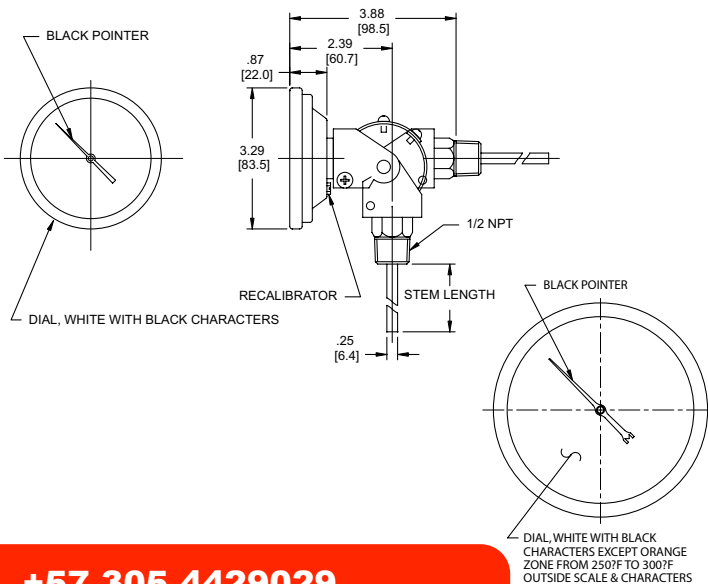
L31XXX



L33XXX

L51XXX

L53XXX



+57 305 4429029

instrumentacion@colmucol.com